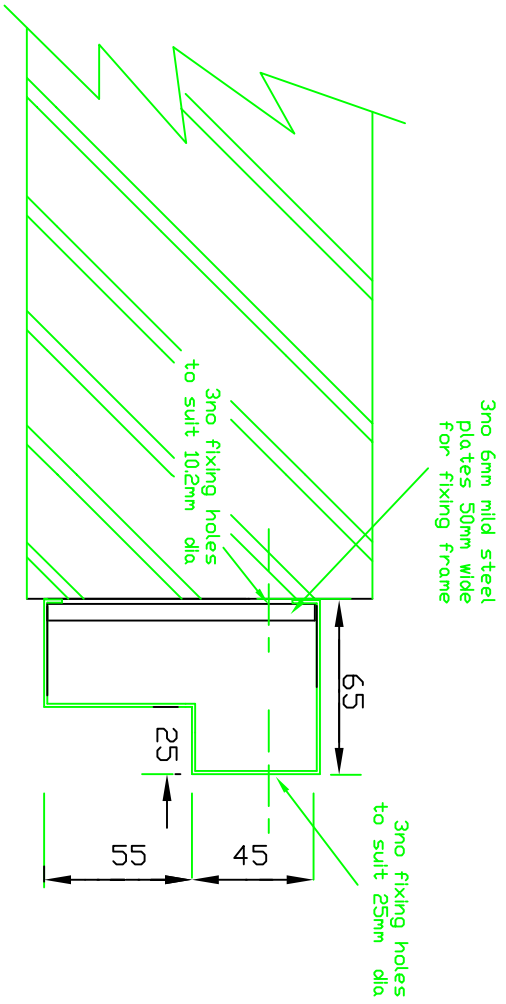
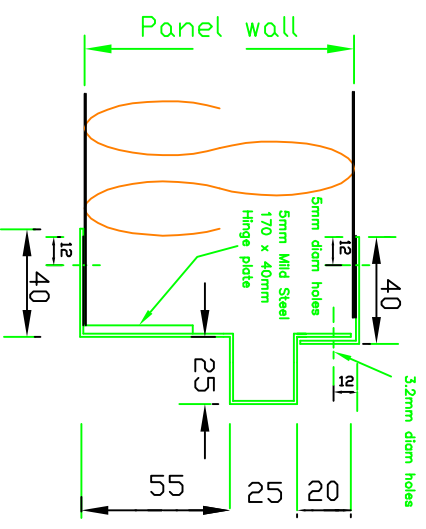


PLAN VIEW



BRICKWORK OPENING
 Structural opening width = $c/o + 140$ mm
 Structural opening height = $c/o + 70$ mm



FRAME DETAIL to suit PANEL
 Panel cutout = $c/o + 60$ mm width
 Panel cutout = $c/o + 30$ mm height

Door Ref	CUSTOMER	SITE	DESCRIPTION	JOB.No.	Telephone Number
			30 MINUTE FIRE DOOR WITH LEVER HANDLES TO SUIT VARIOUS WALL TYPES		0161 882 9043
					Fax Number
					0161 366 9342

