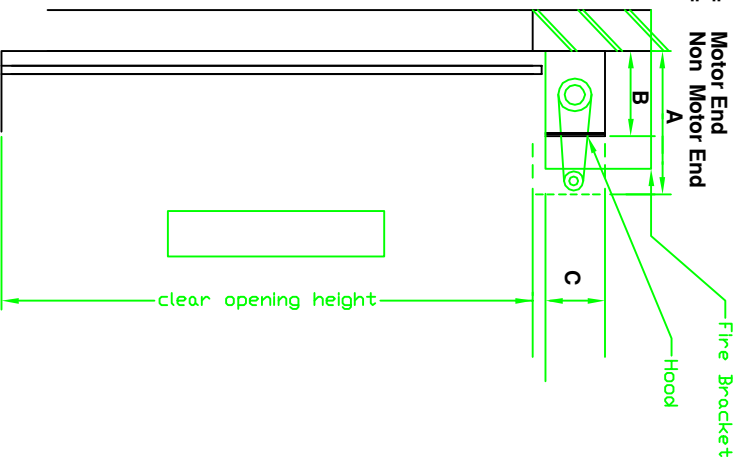


A = Motor End
B = Non Motor End



DIMENSION GUIDE

SIZES mm	Clear Height	DIMENSION GUIDE				
		A	B	C	D	E
Manual or Electric Operation	1000mm	610	280	280	163	150
	2000mm	630	305	305	163	150
	3000mm	650	330	330	163	150
	4000mm	670	356	356	163	150
	5000mm	690	406	406	163	150
	6000mm	710	456	456	163	150

NOTES:-

CUSTOMER	SITE	DESCRIPTION	JOB.No.
		TYPICAL FIRE SHUTTER TO BRICK OPENING	

TELEPHONE No
01618829043
FAX No
01613669342

