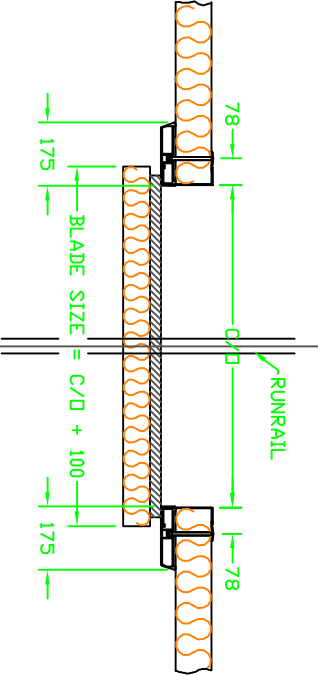
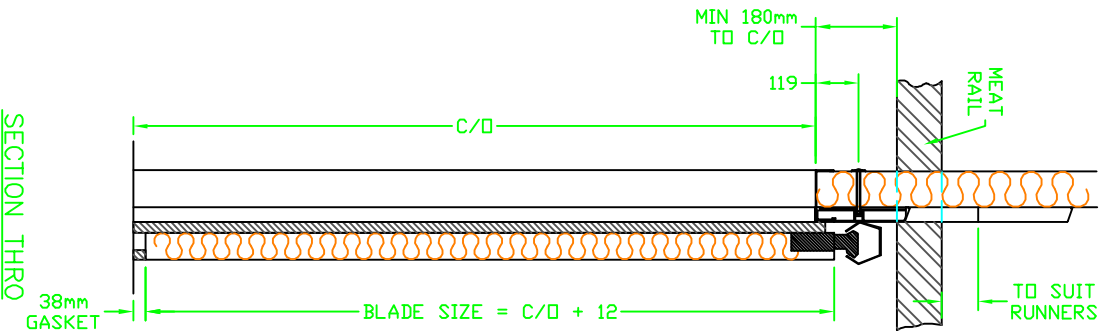


TRACK	C/O	A	B	C	D
3531	900	2600	700	200	1500
3532	1200	3200	850	250	1750
3533	1500	3800	1000	250	2050
3534	1800	4400	1150	250	2350
3535	2000	5000	1300	300	2600
3536	2500	5600	1450	200	2900
3537	2750	6200	1600	225	3225
3538	3000	6800	1750	250	3550



PLAN VIEW



SECTION THRO

CUSTOMER	SITE	DESCRIPTION	JOB No.	Telephone Number 0161 882 9043 Fax Number 0161 366 9342
		Split Track type Meat Rail Sliding door With anodised aluminium frame		SCOTT DOORS LIMITED