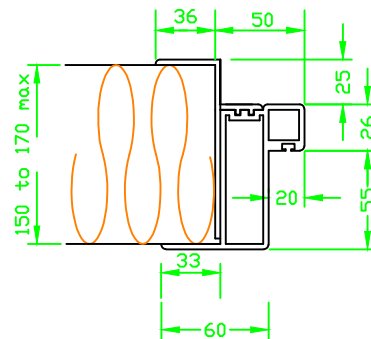
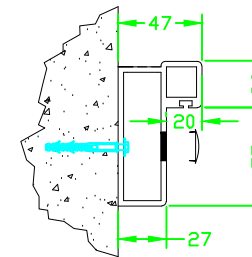


ELEVATION



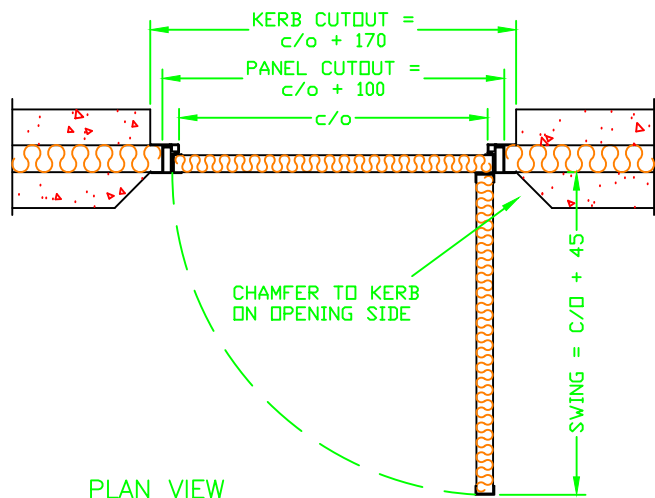
FRAME DETAIL 150- 170 PANEL

Panel cutout = c/o + 106mm width
 Panel cutout = c/o + 53 mm height

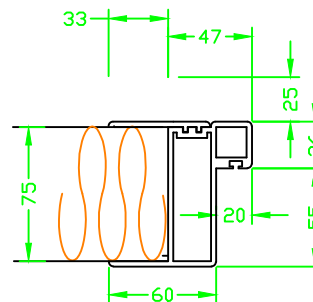


BRICKWORK OPENING

Structural opening width = c/o + 104 mm
 Structural opening height = c/o + 52 mm

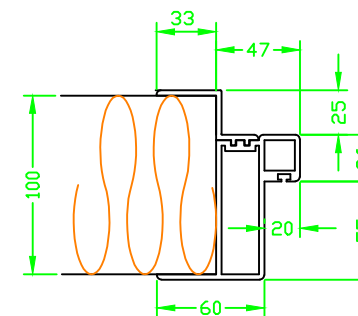


PLAN VIEW



FRAME DETAIL 75mm PANEL

Panel cutout width = c/o + 100 mm
 Panel cutout height = c/o + 50 mm



FRAME DETAIL 100mm PANEL

Panel cutout width = c/o + 100 mm
 Panel cutout height = c/o + 50 mm

Door Ref	CUSTOMER	SITE	DESCRIPTION	JOB.No.	Telephone Number 0161 882 9043
			TYPICAL PERSONNEL DOOR WITH LOUVRES TO SUIT VARIOUS WALL TYPES		Fax Number 0161 366 9342

